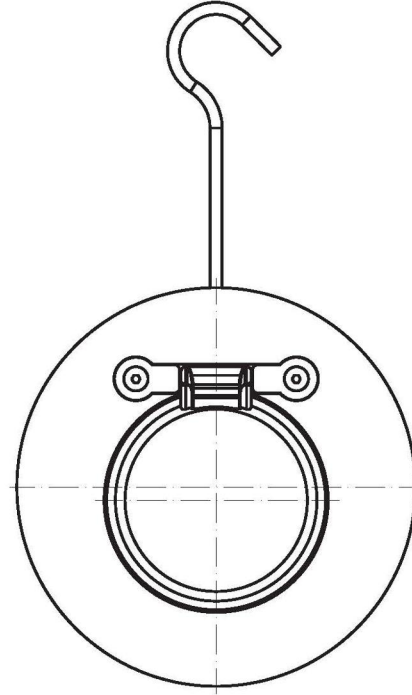


## Wafer Tip Çalpara Çek Valf / Wafer Type Swing Check Valve



NO	PARÇA ADI	PART NAME	MALZEME / MATERIAL
1	GÖVDE	BODY	ST42 / SS316 / RG5
2	O RİNG	O RING	NBR / EPDM
3	KLAPE	DISC	AISI 316 / Alu. Bronze
4	PUL	WASHER	AISI 304
5	CİVATA	BOLT	AISI 304
6	MAPA	EYE BOLT	SAE 1040

ÖLÇÜ SIZE	DN40	DN50	DN65	DN80	DN100	DN125	DN150	DN200	DN250	DN300	DN350	DN400
ød	22	32	40	54	70	92	112	158	192	234	266	305
øD	94	109	129	144	164	195	220	275	330	380	440	490
b	14	16	16	16	18	18	20	22	25	30	38	40
KG	0,7	1	1,5	1,8	3,4	3,7	5	10	13	19	31,5	41

### UYGULAMA ALANLARI / APPLICATIONS

DENİZ SUYU / SEA WATER  
KONDENS SİSTEMLER / CONDENSATION SYSTEM  
ARITMA SİSTEMLERİ / PURIFICATION SYSTEM  
HVAC SİSTEMLERİ / HVAC SYSTEM

### TEKNİK ÖZELLİKLERİ / TECHNICAL PROPERTY

BASINÇ / PRESSURE : PN16  
SICAKLIK / TEMPERATURE : -10°C / + 100°C  
GÖVDE SEÇENEKLERİ: ST42, SS316, ALU-BRONZ